

## Instructions for use

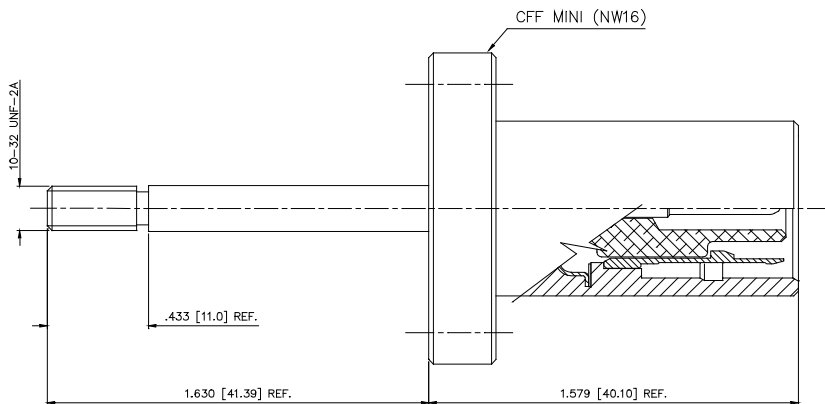
### Agilent Fischer H.V. Feedthrough



Product Name	Part Number
12kV Fischer H.V. Feedthrough	9595125

Agilent High Voltage Feedthroughs are rated up to 12kV.  
 Model is available equipped with a stainless-steel Mini-ConFlat® flange.

#### 12KV F/T FISCHER



#### SPECIFICATIONS

Voltage rating (below $10^{-4}$ Torr/mbar)	12kV F/T Fischer
Current rating	1A maximum
Temperature bakeout range	-196°C to +450°C
Body material	Stainless steel
Mounting flange	1.33" O.D. mini (NW16)
Mating connector external side	9290705 H.V. radiation cable with interlock and Fischer connector, C.U. side 9290706 H.V. radiation cable with interlock and King connector, C.U. side

## Instructions for use

### Disposal

The following symbol is applied in accordance with the EC WEEE (Waste Electrical and Electronic Equipment) Directive. This symbol (valid only in countries of the European Community) indicates that the product it applies to must NOT be disposed of together with ordinary domestic or industrial waste but must be sent to a differentiated waste collection system. The end user is therefore invited to contact the supplier of the device, whether the Parent Company or a retailer, to initiate the collection and disposal process after checking the contractual terms and conditions of sale.



For more information refer to:

<http://www.agilent.com/environment/product/index.shtml>

#### Customer Support & Service:

##### **NORTH AMERICA:**

Toll Free: 800 882 7426  
[vpl-ra@agilent.com](mailto:vpl-ra@agilent.com)  
[Lexington-service@agilent.com](mailto:Lexington-service@agilent.com)

##### **EUROPE:**

Toll Free: 00 800 234 234 00  
[vpt-customer-care@agilent.com](mailto:vpt-customer-care@agilent.com)

##### **PACIFIC RIM:**

please visit our website for individual office information  
<http://www.agilent.com/chem/vacuum>

#### **Worldwide Web Site, Catalog and Order Online:**

[www.agilent.com/chem/vacuum](http://www.agilent.com/chem/vacuum)  
Representatives in most countries

This information is subject to change without notice.

© Agilent Technologies, Inc. 2026

Printed in Italy, 03/2026

**87-900-096-01 (C.00)**